

Reactor A-20

311511G

ENG

Air Operated, Electrically Heated Plural Component Proportioner
For spraying or dispensing 1:1 mix ratio materials, including epoxies and polyurethane foam. For professional use only.

Not approved for use in European explosive atmosphere locations.



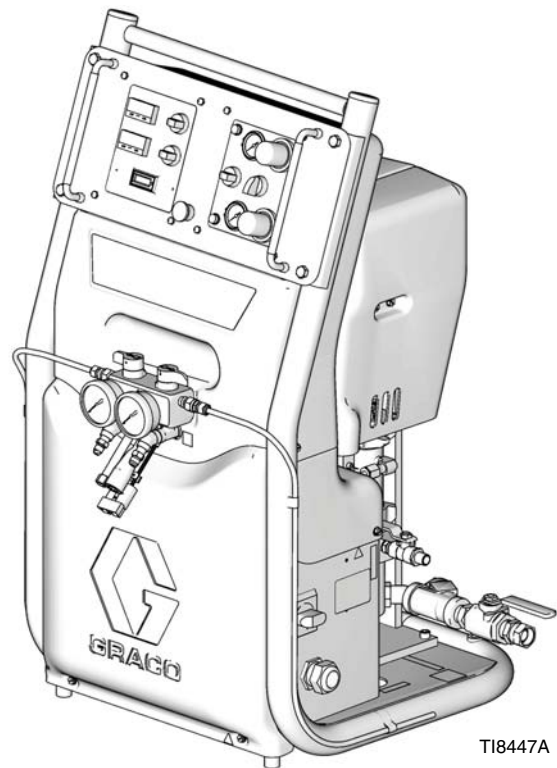
Important Safety Instructions

Read all warnings and instructions in this manual.
Save these instructions.

See page 3 for a list of models and maximum working pressures.

US Patent No. 7822326

Russian Patent No. 2359181



T18447A



HO03

Contents

Related Manuals	2	Initial Startup	21
Systems	3	Fluid Temperature Sensor (FTS) Calibration . . .	21
Warnings	4	Load Fluid with Feed Pumps	21
Typical Installation, without Circulation	7	Digital Temperature Controllers	22
Typical Installation, with Circulation	8	Over Temperature Alarms	24
Moisture Sensitivity of Isocyanates	9	Fluid Heater Temperature Offset	24
Foam Self-Ignition	9	Hose Heat Manual Mode	24
Isocyanate Hazard	9	Supply Wet-Cups with Throat Seal Liquid	25
Keep Components A and B Separate	9	Spraying Setup	26
Changing Materials	9	Spray Adjustments	27
Component Identification	10	Shutdown	28
Controls and Indicators	12	Operation	29
Pressure Relief Procedure	13	Daily Start-up Procedure	29
Flushing	13	Fluid Circulation	31
Setup	14	Circulation Through Reactor	31
Locate Reactor A-20	14	Circulation Through Gun Manifold	32
Determine Power Source	14	Maintenance	33
Electrical Requirements	14	Technical Data	34
Configure to Supply Power	15	Graco Standard Warranty	36
Ground System	17	Graco Information	36
Iso Pump Lubrication System Setup	17		
Fluid Supply Connections	17		
Air Supply Connection	17		
Connect FTS and Heated Dual Whip Hose . . .	18		
Recirculation / Pressure Relief Lines	19		
Connect Heated Hose	19		
Close Gun Fluid Manifold Valves A and B	20		
Connect Whip Hose to Gun Fluid Manifold . . .	20		
Pressure Check Hose	20		

Related Manuals

Reactor A-20 Repair/Parts Manual 311512

Systems

System Part	Maximum Fluid Working Pressure psi (MPa, bar)	Proportioner	Heated Hose		Gun	
			50 ft (15 m)	10 ft (3 m)	Model	Part
AP3831	2000 (13.8, 138)	253831	246678	246050	Fusion Air Purge	246101
CS3831	2000 (13.8, 138)	253831	246678	246050	Fusion CS	CS01RD
P23831	2000 (13.8, 138)	253831	246678	246050	Probler P2	GCP2R1

253831 Proportioner

This model is field-configurable to the following supply voltages:

230 V, 1 Phase

230 V, 3 Phase

380 V, 3 Phase

2,000 psi (14 MPa, 140 bar) Maximum Fluid Working Pressure






120 psi (0.84 MPa, 8.4 bar) Maximum Air Working Pressure

Approvals:







Warnings

The following general warnings are for the setup, use, grounding, maintenance, and repair of this equipment. Additional, more specific warnings may be found throughout the body of this manual where applicable. *Symbols appearing in the body of the manual refer to these general warnings. When these symbols appear throughout the manual, refer back to these pages for a description of the specific hazard.*

 WARNING	
	<p>ELECTRIC SHOCK HAZARD</p> <p>Improper grounding, setup, or usage of the system can cause electric shock.</p> <ul style="list-style-type: none"> • Turn off and disconnect power cord before servicing equipment. • Use only grounded electrical outlets. • Use only 3-wire extension cords. • Ensure ground prongs are intact on sprayer and extension cords. • Do not expose to rain. Store indoors.
	<p>TOXIC FLUID OR FUMES HAZARD</p> <p>Toxic fluids or fumes can cause serious injury or death if splashed in the eyes or on skin, inhaled, or swallowed.</p> <ul style="list-style-type: none"> • Read MSDS's to know the specific hazards of the fluids you are using. • Store hazardous fluid in approved containers, and dispose of it according to applicable guidelines. • Always wear impervious gloves when spraying or cleaning equipment.
	<p>PERSONAL PROTECTIVE EQUIPMENT</p> <p>You must wear appropriate protective equipment when operating, servicing, or when in the operating area of the equipment to help protect you from serious injury, including eye injury, inhalation of toxic fumes, burns, and hearing loss. This equipment includes but is not limited to:</p> <ul style="list-style-type: none"> • Protective eyewear • Clothing and respirator as recommended by the fluid and solvent manufacturer • Gloves • Hearing protection
	<p>SKIN INJECTION HAZARD</p> <p>High-pressure fluid from gun, hose leaks, or ruptured components will pierce skin. This may look like just a cut, but it is a serious injury that can result in amputation. Get immediate surgical treatment.</p> <ul style="list-style-type: none"> • Engage trigger lock when not spraying. • Do not point gun at anyone or at any part of the body. • Do not put your hand over the spray tip. • Do not stop or deflect leaks with your hand, body, glove, or rag. • Follow the Pressure Relief Procedure when you stop spraying and before cleaning, checking, or servicing equipment. • Tighten all fluid connections before operating the equipment. • Check hoses and couplings daily. Replace worn or damaged parts immediately.


WARNING

	<p>FIRE AND EXPLOSION HAZARD</p> <p>Flammable fumes, such as solvent and paint fumes, in work area can ignite or explode. To help prevent fire and explosion:</p> <ul style="list-style-type: none"> • Use equipment only in well ventilated area. • Eliminate all ignition sources; such as pilot lights, cigarettes, portable electric lamps, and plastic drop cloths (potential static arc). • Keep work area free of debris, including solvent, rags and gasoline. • Do not plug or unplug power cords, or turn power or light switches on or off when flammable fumes are present. • Ground all equipment in the work area. See Grounding instructions. • Use only grounded hoses. • Hold gun firmly to side of grounded pail when triggering into pail. • If there is static sparking or you feel a shock, stop operation immediately. Do not use equipment until you identify and correct the problem. • Keep a working fire extinguisher in the work area.
	<p>THERMAL EXPANSION HAZARD</p> <p>Fluids subjected to heat in confined spaces, including hoses, can create a rapid rise in pressure due to the thermal expansion. Over-pressurization can result in equipment rupture and serious injury.</p> <ul style="list-style-type: none"> • Open a valve to relieve the fluid expansion during heating. • Replace hoses proactively at regular intervals based on your operating conditions.
	<p>PRESSURIZED ALUMINUM PARTS HAZARD</p> <p>Do not use 1,1,1-trichloroethane, methylene chloride, other halogenated hydrocarbon solvents or fluids containing such solvents in pressurized aluminum equipment. Such use can cause serious chemical reaction and equipment rupture, and result in death, serious injury, and property damage.</p>
	<p>EQUIPMENT MISUSE HAZARD</p> <p>Misuse can cause death or serious injury.</p> <ul style="list-style-type: none"> • This equipment is for professional use only. • Do not leave the work area while equipment is energized or under pressure. Turn off all equipment and follow the Pressure Relief Procedure in this manual when equipment is not in use. • Do not operate the unit when fatigued or under the influence of drugs or alcohol. • Do not exceed the maximum working pressure or temperature rating of the lowest rated system component. See Technical Data in all equipment manuals. • Use fluids and solvents that are compatible with equipment wetted parts. See Technical Data in all equipment manuals. Read fluid and solvent manufacturer's warnings. For complete information about your material, request MSDS forms from distributor or retailer. • Check equipment daily. Repair or replace worn or damaged parts immediately with genuine manufacturer's replacement parts only. • Do not alter or modify equipment. • Use equipment only for its intended purpose. Call your distributor for information. • Route hoses and cables away from traffic areas, sharp edges, moving parts, and hot surfaces. • Do not kink or over bend hoses or use hoses to pull equipment. • Keep children and animals away from work area. • Comply with all applicable safety regulations.

 **WARNING**



MOVING PARTS HAZARD

Moving parts can pinch or amputate fingers and other body parts.

- Keep clear of moving parts.
- Do not operate equipment with protective guards or covers removed.
- Pressurized equipment can start without warning. Before checking, moving, or servicing equipment, follow the **Pressure Relief Procedure** in this manual. Disconnect power or air supply.



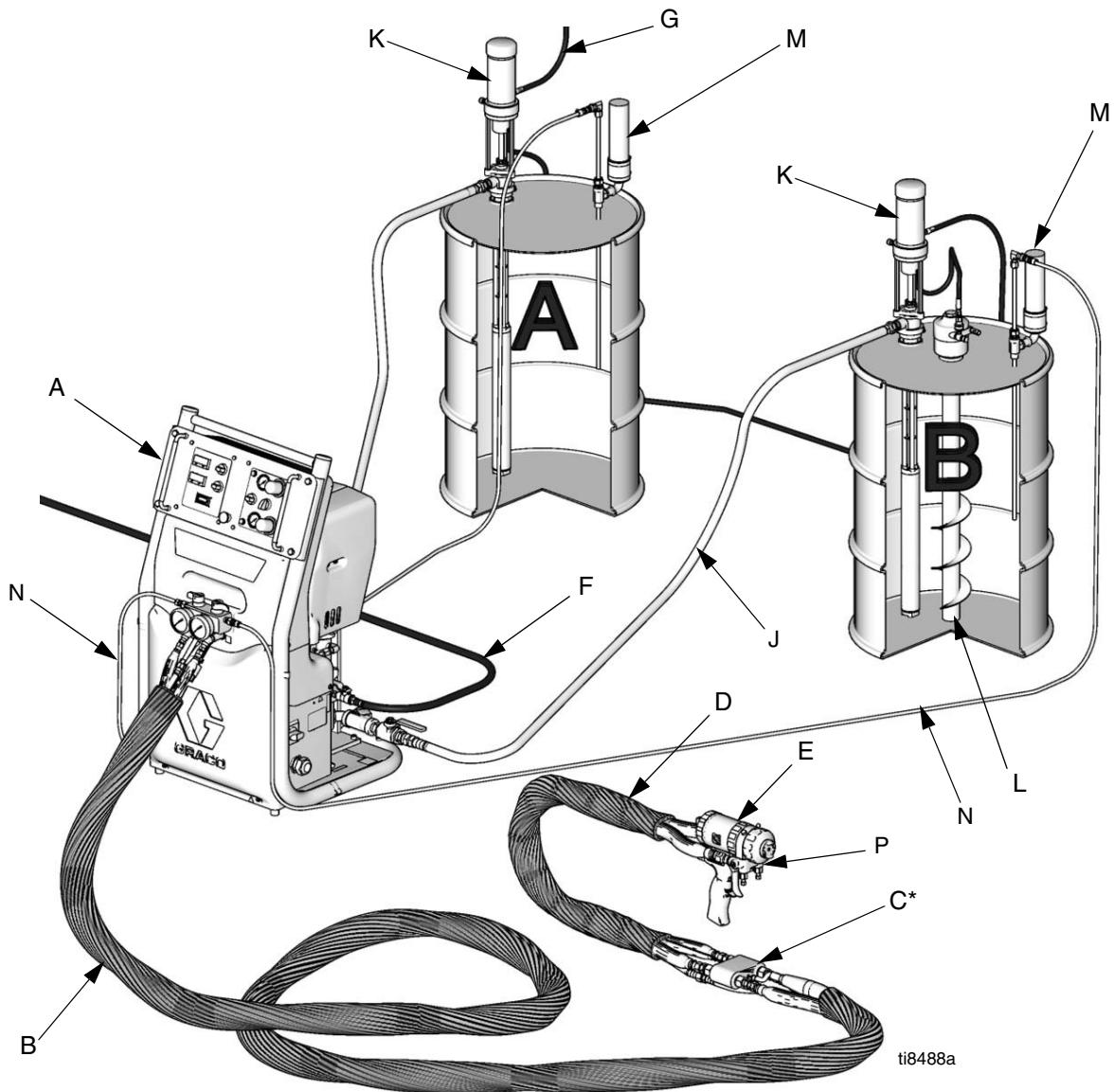
BURN HAZARD

Equipment surfaces and fluid that's heated can become very hot during operation. To avoid severe burns, do not touch hot fluid or equipment. Wait until equipment/fluid has cooled completely.

Typical Installation, with Circulation

Key for FIG. 2

- | | | | |
|---|--------------------------------------|---|---|
| A | Reactor Proportioner | G | Feed Pump Air Supply Lines |
| B | Heated Hose | J | Fluid Supply Lines |
| C | Fluid Temperature Sensor (FTS) | K | Feed Pumps |
| D | Heated Whip Hose | L | Agitator |
| E | Fusion Spray Gun | M | Desiccant Dryer |
| F | Proportioner and Gun Air Supply Hose | N | Recirculation/Over Pressure Relief Return Hoses |
| | | P | Gun Fluid Manifold |




* Shown exposed for clarity. Wrap with tape during operation.

FIG. 2: Typical Installation, with Circulation

Moisture Sensitivity of Isocyanates



Isocyanates (ISO) are catalysts used in two component foam and polyurea coatings. ISO will react with moisture (such as humidity) to form small, hard, abrasive crystals, which become suspended in the fluid. Eventually a film will form on the surface and the ISO will begin to gel, increasing in viscosity. If used, this partially cured ISO will reduce performance and the life of all wetted parts.

 The amount of film formation and rate of crystallization varies depending on the blend of ISO, the humidity, and the temperature.

To prevent exposing ISO to moisture:

- Always use a sealed container with a desiccant dryer in the vent, or a nitrogen atmosphere. **Never** store ISO in an open container.
- Keep the Iso (A) Pump Lube system jar 3/4 filled with clean Throat Seal Lubricant (TSL) 206995. Change whenever fluid appears cloudy.
- Use moisture-proof hoses specifically designed for ISO, such as those supplied with your system.
- Never use reclaimed solvents, which may contain moisture. Always keep solvent containers closed when not in use.
- Never use solvent on one side if it has been contaminated from the other side.
- Always park pumps when you shutdown.
- Always lubricate threaded parts with Part 217374 ISO pump oil or grease when reassembling.

Foam Self-Ignition

						
Some materials may become self-igniting if applied too thick. Read material manufacturer's warnings and material MSDS.						

Isocyanate Hazard

						
Spraying materials containing isocyanates creates potentially harmful mists, vapors, and atomized particulates.						
Read material manufacturer's warnings and material MSDS to know specific hazards and precautions related to isocyanates.						
Prevent inhalation of isocyanate mists, vapors, and atomized particulates by providing sufficient ventilation in the work area. If sufficient ventilation is not available, a supplied-air respirator is required for everyone in the work area.						
To prevent contact with isocyanates, appropriate personal protective equipment, including chemically impermeable gloves, boots, aprons, and goggles, is also required for everyone in the work area.						

Keep Components A and B Separate

NOTICE
To prevent cross-contamination of the equipment's wetted parts, never interchange component A (isocyanate) and component B (resin) parts.

Changing Materials

- When changing materials, flush the equipment multiple times to ensure it is thoroughly clean.
- Always clean the fluid inlet strainers after flushing.
- Check with your material manufacturer for chemical compatibility.
- Most materials use ISO on the A side, but some use ISO on the B side.
- Epoxies often have amines on the B (hardener) side. Polyureas often have amines on the B (resin) side.

Component Identification

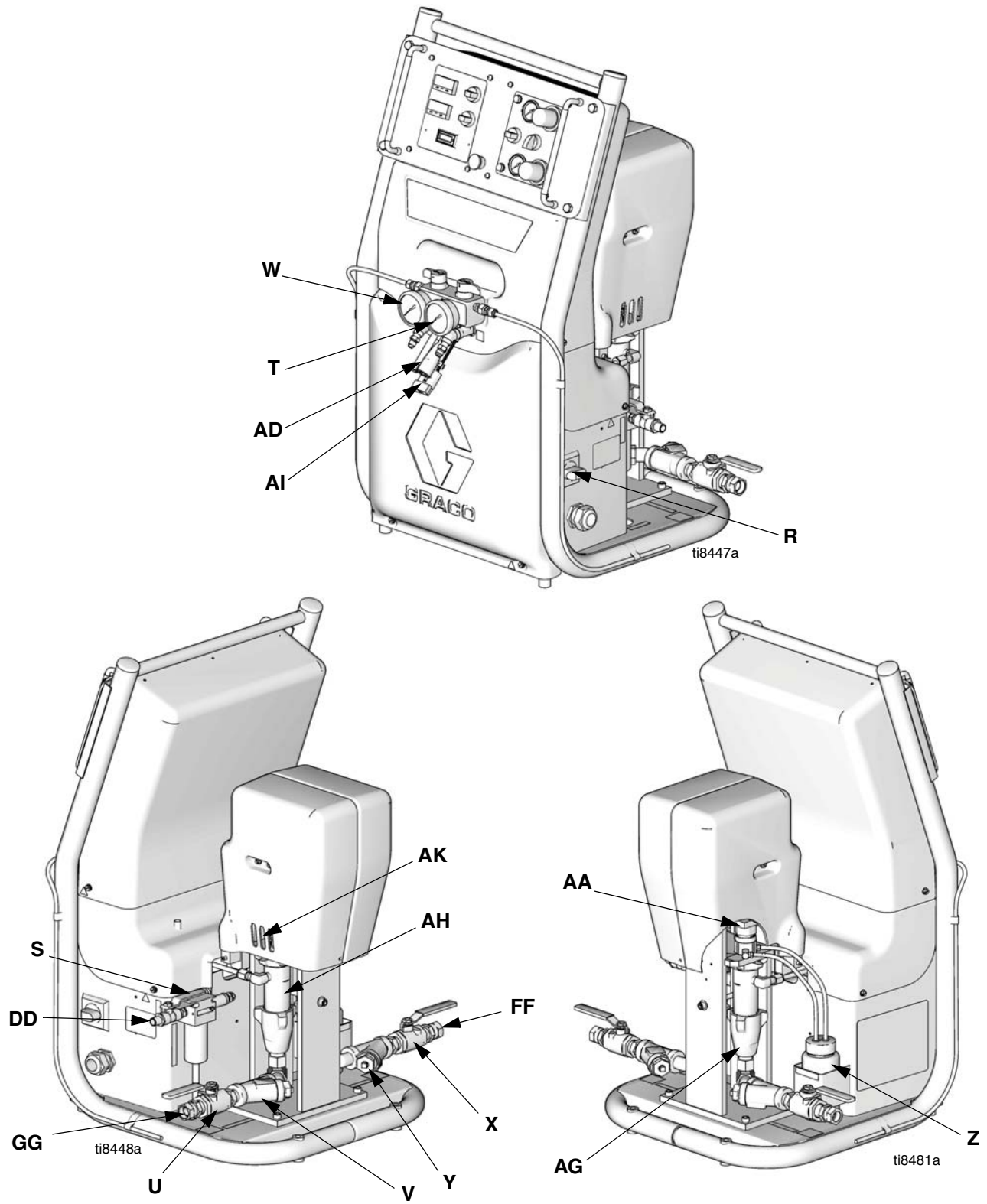


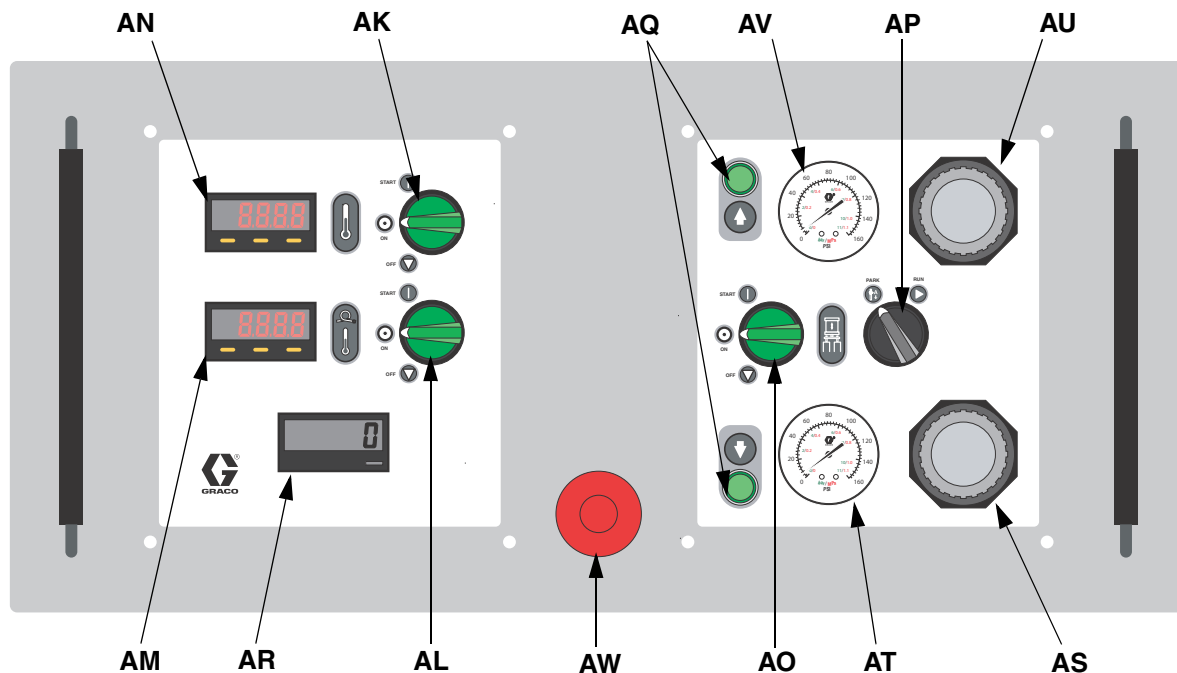
Fig. 3: Typical Installation

Key:

- R Main Disconnect Switch** - Controls power to all circuits. It must be ON for proportioning unit to operate. Temperature displays are lit when main switch is ON.
- S Main Air Filter** - Filters system air supply.
- T Resin (B) Pressure Gauge** - Displays pressure in resin proportioning system (B side).
- U Resin (B) - Inlet Supply Valve**
- V Resin (B) Fluid Y-Strainer**
- W ISO (A) Pressure Gauge** - Displays pressure in isocyanate proportioning system (A side).
- X ISO (A) - Inlet Supply Valve**
- Y ISO (A) Fluid Y-Strainer**
- Z ISO (A) Pump Lube System** - (A side only)
- AA ISO (A) - Packing Nut and Lube Cup** - (A side only)
- *AB Pressure Limit Switches** - Factory set to turn off air drive system when proportioning pump exceeds designed operating pressure limit.
- *AC Primary Heater Thermocouple** - Senses temperature of primary heater and inputs that information.
- AD FTS Jumper Harness** - Carries electrical signal from FTS sensor in isocyanate hose to hose temperature controller.
- *AE Air Motor Reversing Switch** - (Front of air motor) Energizes and de-energizes air solenoid valve coils to reverse direction.
- *AF Primary Heater** - Heats material to required dispensing temperature.
- AG ISO (A) - (Isocyanate) Proportioning Pump** - Draws in and dispenses a fixed volume of isocyanate to gun.
- AH Resin (B) Proportioning Pump** - Draws in and dispenses a fixed volume of resin to gun.
- AI Power-Lock™ Hose Heat Connection** - Connects power to heated hoses.
- *AJ Primary Heater Over-Temperature Switch** - Sends signal to temperature controller if heater exceeds maximum temperature condition.
- AK Resin (B) Pump Wet Cup** - Access for daily wet cup refill.
- DD Air Inlet Ball Valve** - (3/8 NPT male fitting)
- FF ISO (A) Inlet - Fitting** (1/2 swivel fitting)
- GG Resin (B) - Inlet** (3/4 swivel fitting)

** Components not shown.*

Controls and Indicators



Key:

AK Primary Heater Switch - Controls and protects primary heater. It must be ON and lit green for primary heater to operate.

AL Hose Heater Switch - Controls and protects hose heat circuit. It must be ON and lit green for hose heater to operate.

AM Hose Temperature Controller - Controls temperature of hose heat. Adjust set point to desired temperature. From this point, the temperature control is automatic. Displays current temperature after time-out.

AN Primary Heater Temperature Controller - Controls temperature of primary heater. Adjust set point to desired temperature. From this point, the temperature control is automatic.

AO Pump Mode Function Knob - Controls operation of air drive system.

- OFF - Air drive system is off.
- ON - Must be in this position for unit to operate.
- START - Momentary position that starts the air motor movement and illuminates green light in switch.

AP Park/Run Switch -

- PARK - Use this position for shutdown. Stops air motor at bottom of stroke with proportioning pumps in retracted position when trigger is pulled.
- RUN - Enables Air Motor Power

AQ Pump Directional Indicator Lights (Green) - Indicates direction the proportioning pump travels. Both lights are off when pump switch is OFF or when either proportioning pump exceeds its operating pressure limit switch.

AR Counter - Records cycle count of proportioning pumps. One cycle count equals two strokes (one in each direction). One cycle equals .028 gal. (.106 l).

AS Downstroke Air Pressure Regulator - Controls air pressure to air motor during downstroke.

AT Downstroke Air Pressure Gauge - Displays air pressure in air drive system during downstroke.

AU Upstroke Air Pressure Regulator - Controls air pressure to air motor during upstroke.

AV Upstroke Air Pressure Gauge - Displays air pressure in air drive system during upstroke.

AW Emergency Stop Switch - Shuts off electrical power to pump control and both heat control circuits.

Pressure Relief Procedure

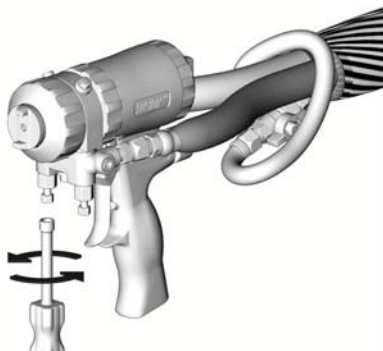


1. Turn off feed pumps and agitator if used.
2. Turn PARK/RUN switch to PARK.
3. Trigger gun to relieve pressure.
4. Turn off air inlet valve.
5. Engage gun piston safety lock.



ti2409a

6. Verify gun fluid manifold valves A and B are closed.



ti2421a

7. Close pump inlet supply valves.

Flushing

Flush equipment only in a well-ventilated area. Do not spray flammable fluids. Do not turn on heaters while flushing with flammable solvents.						

- Flush out old fluid with new fluid, or flush out old fluid with a compatible solvent, such as toluene, naphtha, or mineral spirits before introducing new fluid.
- Use lowest possible pressure when flushing.
- To flush entire system, circulate through gun fluid manifold (with manifold removed from gun).
- Always leave hydraulic oil or a non-water based, non-water absorbent fluid in system. Do not use water.

Only use flush solvents that are compatible with Fluoroelastomer seals. Non-compatible solvents will damage seals and cause hazardous conditions, such as high pressure leaks and pressure switch failure.						

Setup

Locate Reactor A-20




1. Locate Reactor A-20 on a level surface and bolt in place to the floor with 3/8 in. (10 mm) bolts.
 - Two bolts through the 2 in. (50 mm) deep caster bushings in the rear.
 - Two bolts through the 3-5/8 in. (168 mm) deep caster bushings in the front.
2. Do not expose Reactor A-20 to rain.
3. If you need to move the machine, add provided casters.
4. Lift with hoist only from bar spanning across top of cart.

Determine Power Source

Reactor A-20 can be wired to 3 types of power source:

- 230 Volt / 1 Phase
- 230 Volt / 3 Phase Delta
- 380 Volt / 3 Phase WYE (220 Volts to Neutral)

Electrical Requirements

						
<p>Improper wiring may cause electric shock or other serious injury if work is not performed properly. Have a qualified electrician connect power and ground to main power switch terminals. Ensure your installation complies with all National, State, and Local safety and fire codes.</p> <p>Also ensure that incoming power is disconnected and locked out at the source.</p>						

NOTICE
<p>Ensure main power source meets all electrical requirements specified on nameplate of proportioning unit. Also ensure main power source has a dedicated fuse disconnect. Power cord is not supplied.</p>

Configure to Supply Power

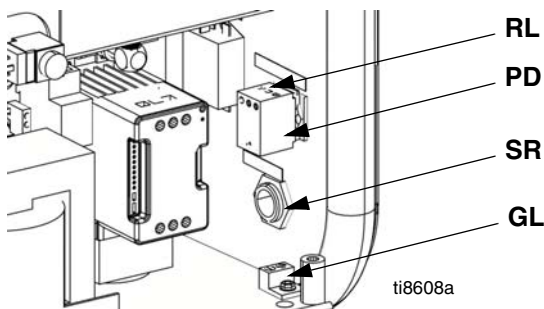


Both cord connection AND jumper positioning steps on page 16 must be completed.

Step One - Connect Electrical Cord

Disregard terminal numbers on disconnect switch blocks. Wire to positions shown. Terminals will accept up to #8 AWG (10 mm²) conductors.

1. Remove and retain two screws from lower front shroud and remove.
2. Connect main power cord to electrical console as follows:
 - a. Feed power cord through strain relief (SR) on right side of unit. Push black die release lever (RL) down to release contacts block (PD) for easy wiring.
 - b. Connect power leads to Power Disconnect Switch (PD). Snap contacts block (PD) back onto switch.
 - c. Tighten strain relief nut.
 - d. Strain relief accepts cords 0.59 to 1.0 in. (15-25 mm) diameter.
 - e. Connect ground wire to ground lug (GL).

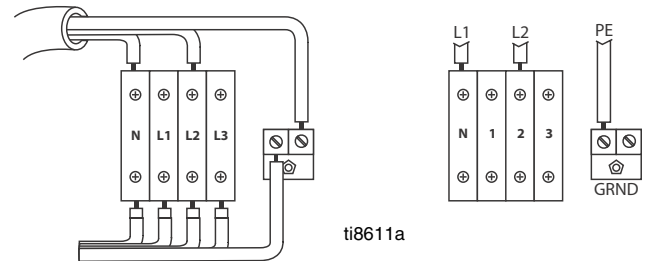


3. Replace lower front shroud. Reinstall the two screws retained in Step 1.

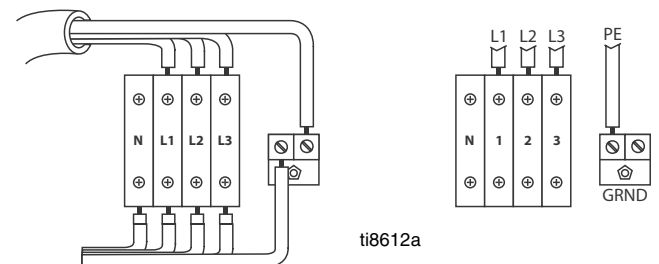
230V, 1 Phase: Use a screwdriver to connect two power leads to the top terminals N and L2 positions. Connect

green to ground (GND). See page 16 for proper jumper positions.

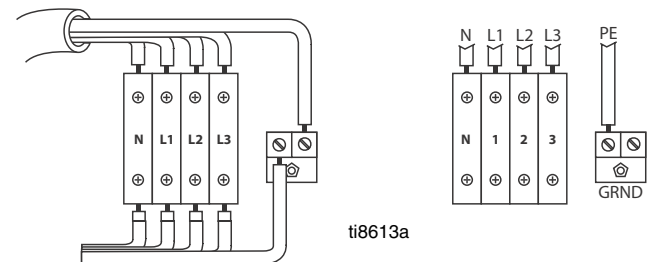
Disregard terminal numbers on disconnect switch blocks. Wire to positions shown.



230V, 3 Phase Delta: Use a screwdriver to connect three power leads to top terminals L1, L2, and L3. Connect green to ground (GND). See page 16 for proper jumper positions.

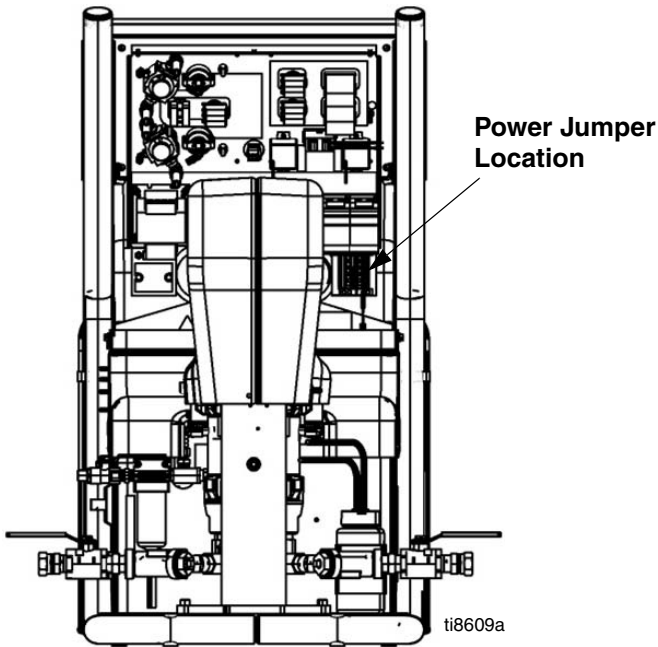


380V, 3 Phase WYE (as shipped from factory): Use a screwdriver to connect three power leads to the top terminals L1, L2, and L3. Connect neutral to N. Connect green to ground (GND). See page 16 for proper jumper positions.



Step Two - Reposition Power Jumpers

Find location of Power Jumpers.



For 230V, 1 Phase and 230V, 3 Phase Installations, change jumper positions as shown below. Machine is shipped with jumpers in the fail-safe 380 3Ø position.

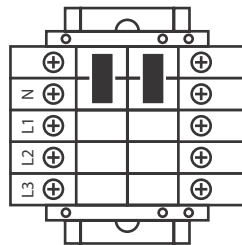
1. Remove upper rear control cover screws and cover.
2. Move one red jumper from the storage positions to the positions shown for your power.
 - A flat-blade screwdriver can be used under the ridge on the side of the jumper to remove them.
 - Push the jumper firmly into the new position.
3. Replace rear cover and two screws.

Step Two

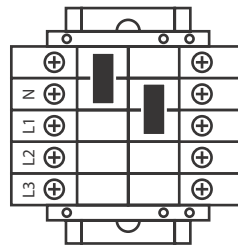
TB2

Terminal Blocks

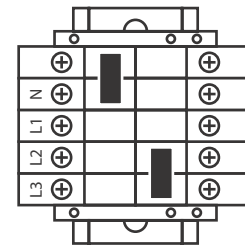
Position red jumpers (under back cover on opposite side)



380V 3Ø WYE
(as shipped)



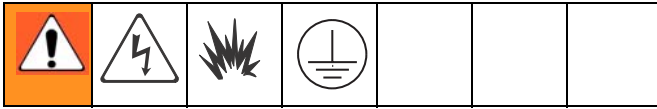
230V 3Ø Delta



230V 1Ø

ti8610a

Ground System



- *Reactor*: is grounded through power cord; see page 15.
- *Spray gun*: connect whip hose ground wire to FTS; see page 18. Do not disconnect wire or spray without whip hose.
- *Fluid supply containers*: follow your local code.
- *Object being sprayed*: follow your local code.
- *Solvent pails used when flushing*: follow your local code. Use only metal pails that are conductive. Place them on a grounded surface. Do not place pail on a nonconductive surface, such as paper or cardboard, which interrupts grounding continuity.
- *To maintain grounding continuity when flushing or relieving pressure*, hold a metal part of spray gun firmly to the side of a grounded metal pail, then trigger gun.

Iso Pump Lubrication System Setup

Prepare isocyanate pump lubrication system as follows:

1. Lift lubricant reservoir out of bracket and remove reservoir from cap.
2. Fill reservoir 3/4 full with TSL; see Accessories section in manual 311512.
3. Thread reservoir onto cap assembly and place it into bracket.

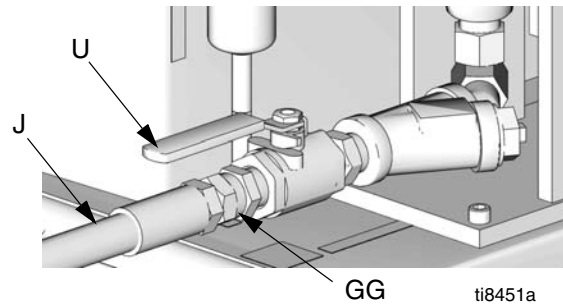
The lubrication system is now ready for operation; no priming is required.

Fluid Supply Connections

Connect material supply to inlets of proportioning unit as follows:

1. Ensure the A- and B- inlet ball valves (U,X) on proportioning unit are closed.


2. Connect and tighten B- supply hose (J) to 3/4 NPT swivel fitting (GG) on B- inlet ball valve (U), and to resin transfer pump.

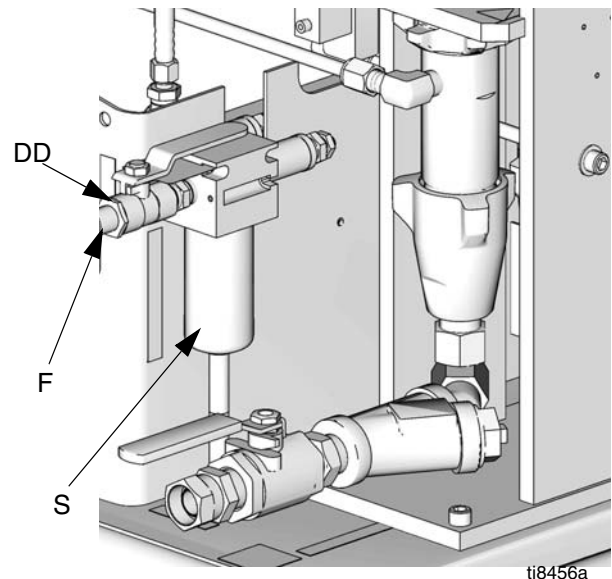


3. Connect and tighten A- supply hose (BB) to 1/2 NPT swivel fitting (FF) on A- inlet ball valve (X), and to isocyanate transfer pump. See FIG. 3, page 10.

Air Supply Connection

Connect main air supply (F) to air inlet fitting (DD) at air filter (S). Hose fitting requires a 3/8 NPT female fitting.

-  Use a minimum of 3/8 in. ID air line (not supplied) to deliver air supply to proportioning unit. Use 1/2 in. ID hose if over 15 ft long. The main air supply must be clean and free of oil and contaminants.



Connect FTS and Heated Dual Whip Hose

NOTICE

To prevent damage to probe, do not kink or excessively bend hose. Do not coil hose tighter than the minimum bend radius of 3 ft (0.9 m). Do not subject hose to excessive weight, impact, or other abuse.

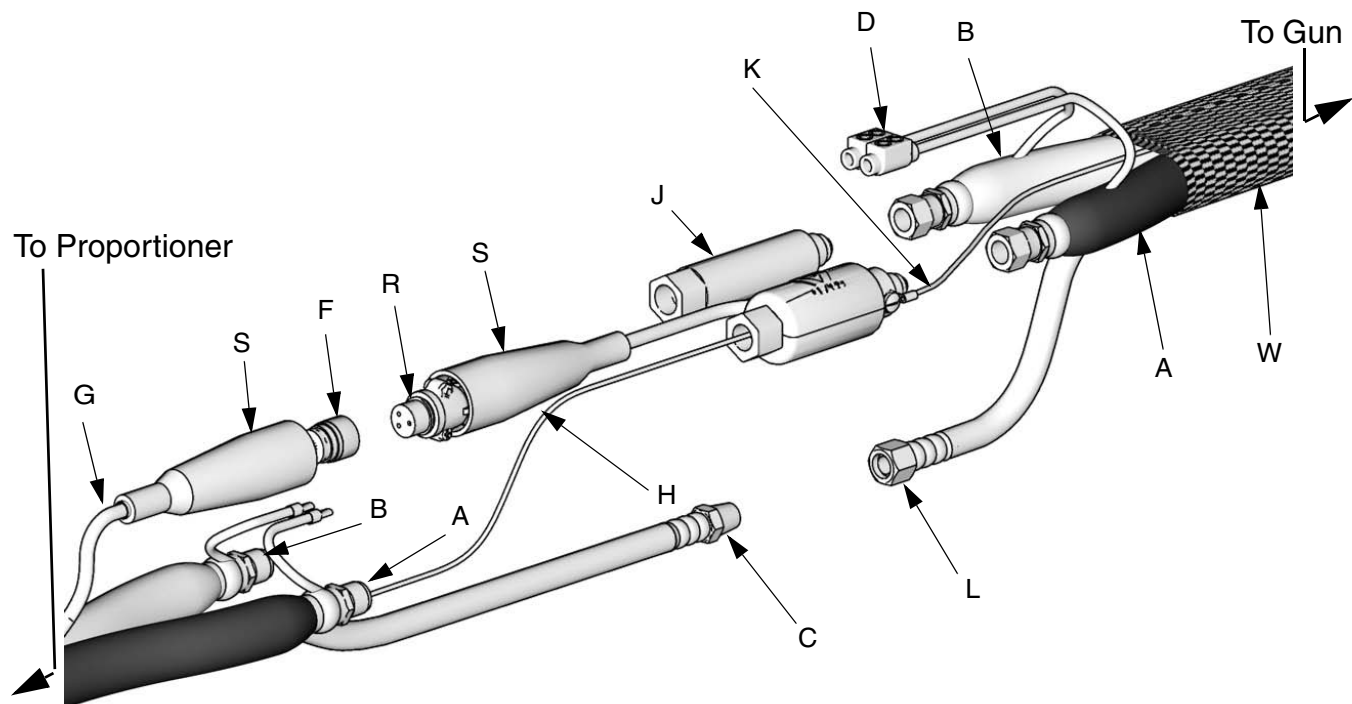
1. Carefully extend FTS probe (H) into the hose section from the proportioner. Do not bend or kink probe. Insert in component A (ISO) side of main hose for foam or poly-urea systems.
2. Connect FTS (J) to whip hose (W).
3. Connect whip hose ground wire (K) to ground screw on underside of FTS.

4. Connect fluid hoses to FTS (J).



To use 1/2 in. (13 mm) ID fluid hoses, remove the adapters from the proportioner fluid manifold and install them in the FTS swivel inlets.




5. Connect electrical connectors (D).
6. Connect air hose (C) to whip air hose (L).
7. Connect hose assembly cable (F) to FTS cable (R). Slide insulator sleeves (S) over connection. Leave slack (G) in cables as stress relief, to prevent cable failure.
8. Check hoses for leaks (see your Heated Hose manual).



TI9581C

FIG. 4: Connect FTS and Heated Dual Whip Hose

Recirculation / Pressure Relief Lines

						
---	---	---	--	--	--	--

Do not install shutoffs downstream of the PRESSURE RELIEF/SPRAY valve outlets (BA, BB). The valves function as over pressure relief valves when set to SPRAY. Lines must be open so valves can automatically relieve pressure when machine is operating.

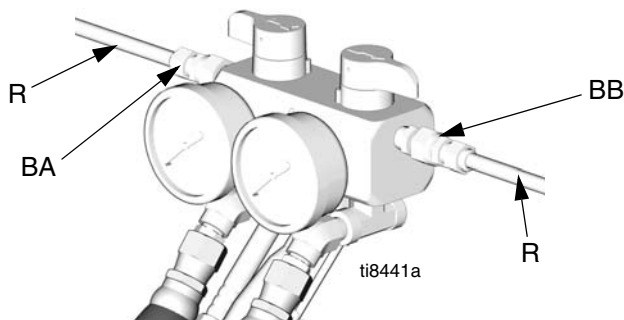
If circulating fluid back to the supply drums, use high pressure hose rated to withstand the maximum working pressure of this equipment.

If Recirculating to Supply Drum: Connect high pressure hose (R) to relief fittings (BA, BB) of both PRESSURE RELIEF/SPRAY valves. Route hose back to component A and B drums. Refer to manual 309852.


Alternate recirculation hoses (requires adapter fittings):


249508 - ISO (A) (moisture guard) red hose, 1/4 in. (6 mm) ID; #5 JIC fittings (m x f); 35 ft (10.7 m) long.

249509 - Resin (B) blue hose; 1/4 in. (6 mm) ID, #6 JIC fittings (m x f), 35 ft (10.7 m) long.

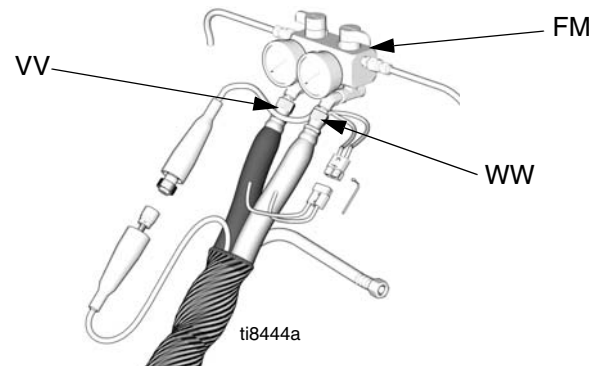



Connect Heated Hose

 See manual 309572 for detailed instructions for Graco heated hoses.

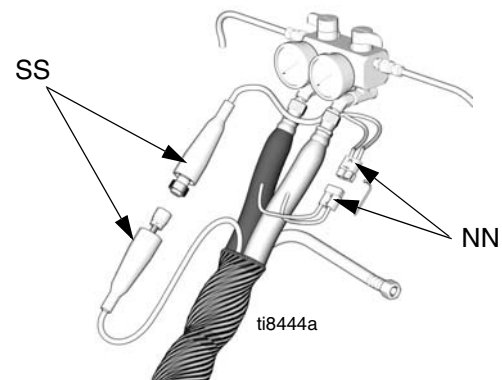
 The fluid temperature sensor (FTS) and whip hose must be used with heated hose; see page 19. Hose length, including whip hose, must be 60 ft (18.3 m) minimum.

1. Turn main power OFF.
2. Assemble heated hose sections, FTS, and whip hose; see manual 309572.
3. Connect A and B hoses to A and B outlets on Reactor fluid manifold (FM). Hoses are color coded: red for component A (ISO), blue for component B (RES). Fittings are sized to prevent connection errors.

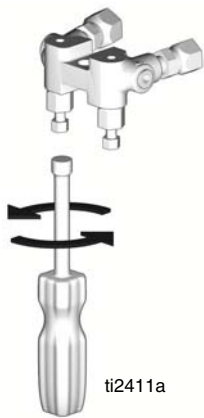


 Manifold hose fittings (VV, WW) allow use of 1/4 in. and 3/8 in. ID Reactor heated fluid hoses.

4. Connect cables (SS). Connect electrical connectors (NN). Be sure cables have slack when hose bends. Wrap cable and electrical connections with electrical tape.

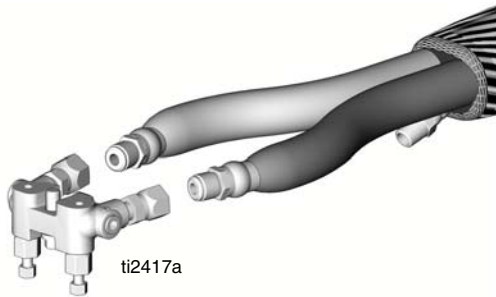


Close Gun Fluid Manifold Valves A and B



Connect Whip Hose to Gun Fluid Manifold

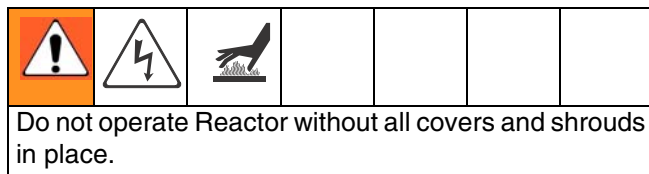
Do not connect manifold to gun.



Pressure Check Hose

See hose manual. Pressure check for leaks. If no leaks, wrap hose and electrical connections to protect from damage.

Initial Startup



Fluid Temperature Sensor (FTS) Calibration

Calibrate the FTS ONLY at initial startup (the first time the unit is operated) and any time the hose length changes.

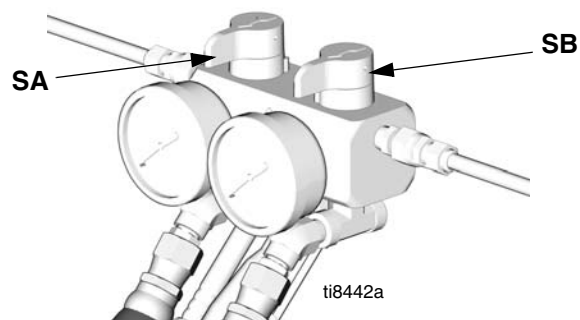
1. Before turning on the unit, ensure all hoses and cables are properly connected. To ensure that the FTS in the hose is at the same temperature as the heaters, keep heat off and store the hose FTS near the machine for several minutes.
2. While holding down the temperature unit button (Fahrenheit - "F" or Celsius - "C") turn the Reactor main power ON.
3. Hold the temperature unit button until temperature is shown on the display. The fluid temperature sensor is now correctly calibrated.

Load Fluid with Feed Pumps

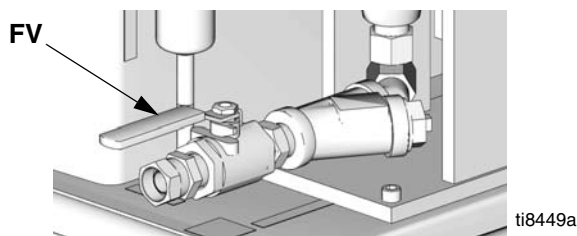
The Reactor is tested with oil at the factory. Flush out the oil with a compatible solvent before spraying; see page 13.

1. Check that Setup process is complete; see page 14.
2. Turn on component B agitator, if used.

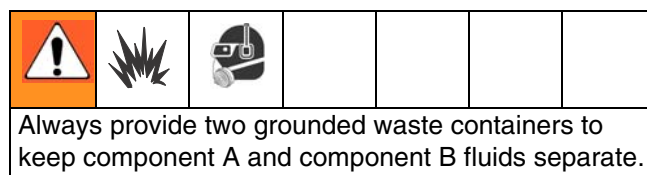
3. Turn both PRESSURE RELIEF/SPRAY valves (SA, SB) to SPRAY.



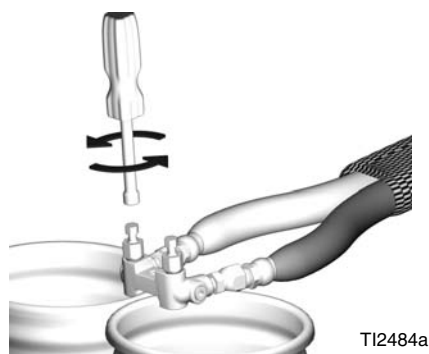
4. Open both fluid valves (FV).



5. Start feed pumps. Do not start proportioner air motor or pumps.



6. Hold gun fluid manifold over two grounded waste containers. Open fluid valves A and B until clean, air-free fluid comes from valves. Close valves.



Digital Temperature Controllers

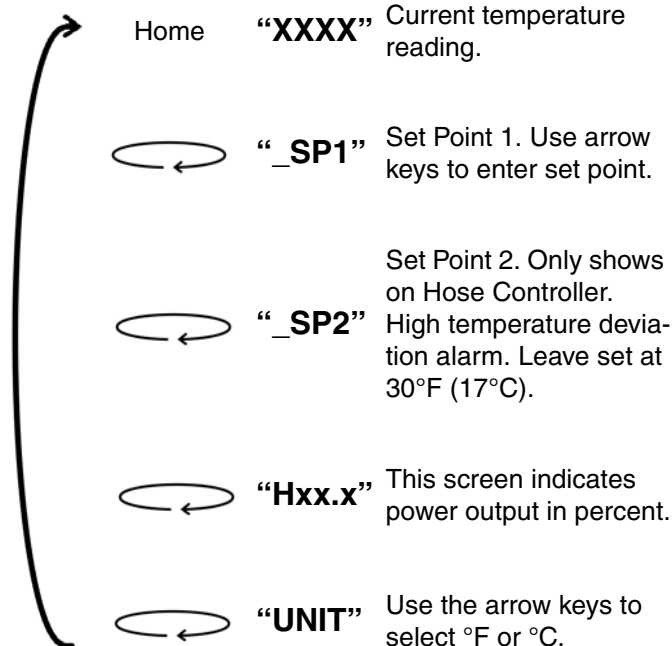
NOTICE
Do not turn power on to the hose heat until after all hose power connectors are connected.

The proportioner has two temperature controllers that automatically manage the temperature for the primary heater and the hose heat.

NOTICE
To prevent damage to primary heaters and hoses, do not turn on heat controller switches next to temperature controllers until purging procedures are complete and heater and hoses are filled with chemical.

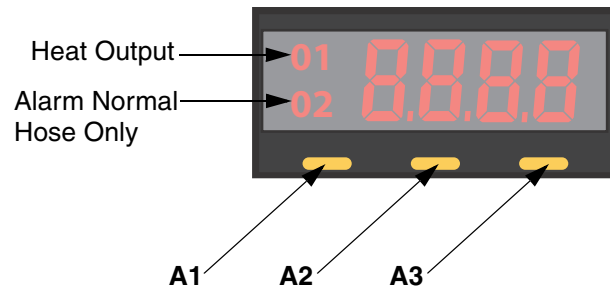
Controller Screens

Push the left side scroll button to cycle through the following screens.



To change or enter the set point, proceed as follows:

1. Ensure red main disconnect switch is ON. Temperature Controllers will illuminate.



2. Press and release Scroll button (A1). Display will read “SP1”. Press and release Up (A2) or Down (A3) button to display set point.

Do not change SP2; see Over Temperature Alarm section.

Temperature controller normally displays actual temperature. When illuminated, red “01” display at upper left indicates controller is asking for heat. The “01” disappears when liquid in heater or hose reaches set point temperature. The “01” cycles on and off to indicate temperature maintenance.

3. Press and hold Up (A2) or Down (A3) button to increase or decrease value.
4. After set point is entered, press and release Up (A2) and Down (A3) buttons together to display actual temperature. Actual temperature will also display after a time-out period.
5. To start heaters, turn green control power switch from ON to START. Light within switch will illuminate.

NOTICE
Controllers are factory programmed and are not field programmable. If you encounter problems with a controller, order a replacement. Do not change any programmed parameters. Do not substitute with controller from alternate supplier; its use may damage equipment. The heater and hose controllers are not interchangeable.

Change Between Fahrenheit and Celsius

The temperature controller is factory-set to display in Fahrenheit units.

To change to Celsius units:

1. Press and release Scroll button (A1) until Controller displays **"UNIT"**.
2. Press and release Down button (A3) once to display **"F"**.
3. Press and release Down button (A3) once again to display **"C"**.
4. Press and release Scroll button (A1) twice. Controller will display Celsius units.

To change back to Fahrenheit units:


1. Press and release Scroll button (A1) until Controller displays **"UNIT"**.
2. Press and release Down button (A3) once to display **"C"**.
3. Press and release Down button (A3) once again to display **"F"**.
4. Press and release Scroll button (A1) twice. Controller will display Fahrenheit units.

Over Temperature Alarms

Both the fluid heater and the hose heat have over temperature alarms that will turn off the heat zone if high temperatures are detected. If this happens, the green light in the switch for that heat zone will go out.

The fluid heater has a fixed temperature switch on the aluminum heater that opens at 230 °F (110 °C) and turns off the heat zone. The temperature switch will automatically reset, but the heat zone will need to be manually restarted. The over-temperature condition should never happen unless the solid state relay (165SSR) fails closed.

The hose heat uses the temperature controller alarm, monitoring the hose thermocouple (FTS) to watch for high temperature conditions. This alarm is controlled by SP2 (Set Point 2) and is factory set for 30 °F (17 °C). This means that the alarm set point is 30° (17 °C) over the SP1 operating temperature set point. Under normal conditions, the output O2 light will be lit on the hose controller. This output holds the hose heat power contact ON and lights the green light in the switch any time power is available to heat the hose. If the hose temperature reading is 30 °F (17 °C) (SP2 setting) over the temperature set point (SP1), the output O2 light and switch light will go out. Hose heat will only return after a manual START of the control switch, after alarm conditions are gone.

						
The hose heat deviation alarm is controlled by the SP2 setpoint. This is factory set to 30 °F (17 °C) and should not be changed. A loss of alarm function and loss of automatic over temperature shut-down could result.						

Fluid Heater Temperature Offset

The fluid heater has been calibrated to provide setpoint temperature fluid under flow conditions. When the machine is powered up and no heat has been turned on, the heater display will read somewhat lower than the hose display. This is normal. The hose display has no offset and will always read the actual temperature at the sensor in the hose.

Hose Heat Manual Mode



If the hose temperature controller does not see the Fluid Temperature Sensor (FTS), it will shut off the hose heat and give a flashing error alternating between:

SbEr = Sensor break error
H20.0 = Heat output 20%

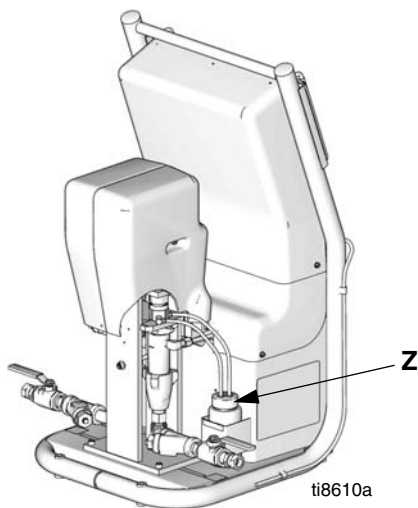
The hose can be manually heated by turning the hose back on with the hose switch and green light. The up/down arrows can be used to adjust the default 20% power output.

There is no monitoring or alarm in manual mode. You must monitor the temperature by inserting a probe thermometer inside the hose insulation against the hose. The thermometer will read 10-20 °F less than actual fluid temperature. Repair the temperature sensor or cable as soon as possible to avoid damaging the heated hose.

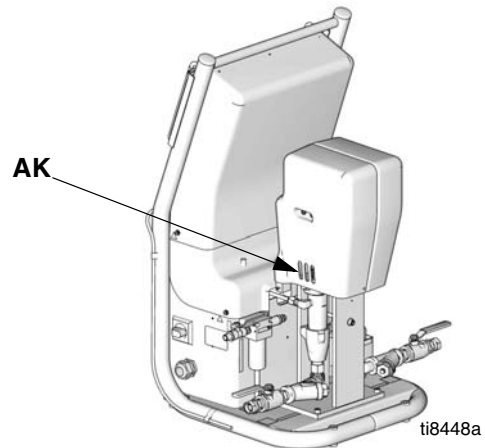
Supply Wet-Cups with Throat Seal Liquid

						
<p>Pump rod and connecting rod move during operation. Moving parts can cause serious injury such as pinching or amputation. Keep hands and fingers away from wet-cup during operation. Turn main power OFF before filling wet-cup.</p>						

1. **Component A (ISO) Pump:** Keep reservoir (Z) 3/4 filled with TSL. Wet-cup piston circulates TSL through wet-cup to carry away isocyanate film on displacement rod. Change the fluid in the reservoir when it becomes milky-looking.



2. **Component B (Resin) Pump:** Check felt washers in packing nut/wet-cup (AK) daily. Keep saturated with TSL to prevent material from hardening on displacement rod. Replace felt washers when worn or contaminated with hardened material.



Spraying Setup

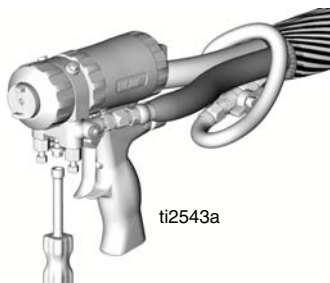
1. After reaching spray temperatures, engage gun piston safety lock.



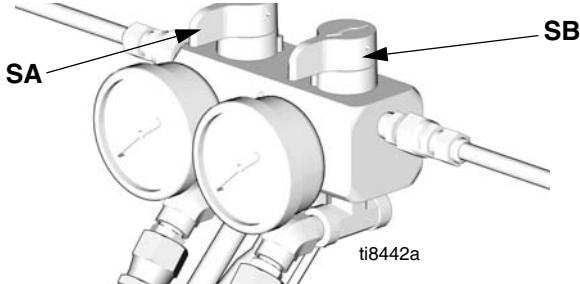
2. Close gun fluid manifold valves A and B.



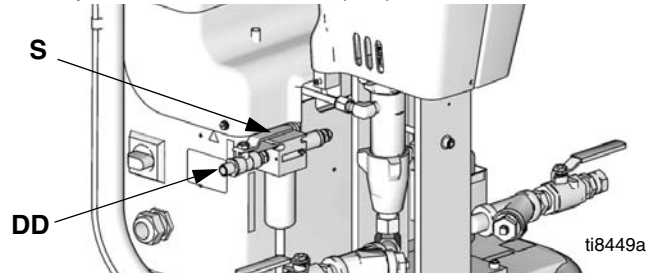
3. Attach gun fluid manifold. Connect gun air line. Open air line valve.



4. Set PRESSURE RELIEF/SPRAY valves (SA, SB) to SPRAY.



5. Open air inlet ball valve (DD).

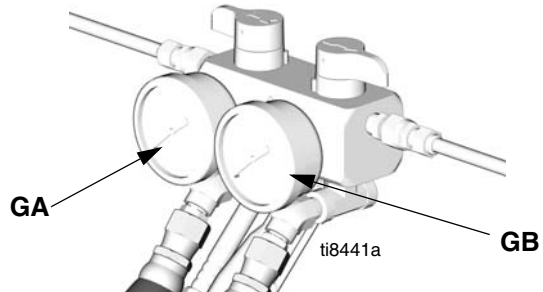


6. Turn both air regulators (AU, AS, page 12) counterclockwise to 0 pressure.

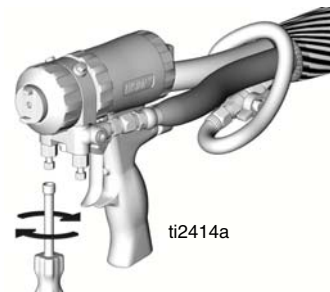
7. Turn RUN/PARK switch to RUN.

8. Turn Pump Mode Function knob to START.

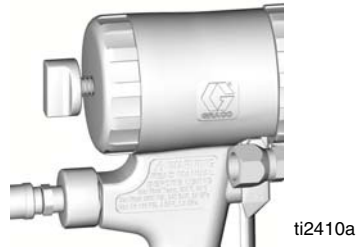
9. Slowly increase each UP/DN air regulator setting by alternating pattern 5-10 psi (0.035-0.07 MPa, 0.35-0.7 bar) at a time until the approximate stall (static) pressure is achieved on fluid gauges (GA) and (GB). Leave UP stroke regulator setting at approximately 10 psi (0.07MPa, 0.7 bar) lower than DN stroke.




10. Open gun fluid manifold valves A and B.



11. Disengage gun piston safety lock.



12. Test spray onto cardboard. Adjust for desired fluid pressure on the DN stroke with regulator (AS). Briefly spray until the UP stroke indicator light is on and increase the UP regulator setting until the fluid pressure (GA, GB) matches the DN stroke pressure. This compensates for feed pump pressure boost.

 Pumps have fluid to air ratio of 17.5 to 1. Feed pumps add 2X feed pressure boost to outlet pressure (on the up stroke only).

13. Check A and B fluid pressure gauges (GA, GB) to ensure proper pressure balance between A and B. If imbalanced, see repair manual 311512.
14. Equipment is ready to spray.

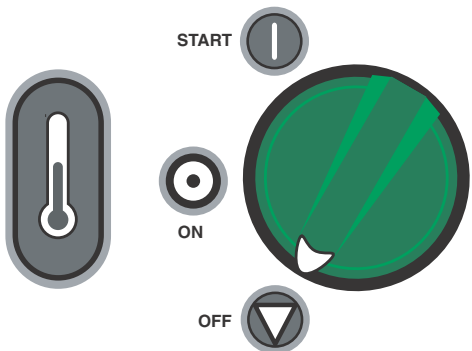
Spray Adjustments

Flow rate, atomization, and amount of overspray are affected by four variables.

- **Fluid pressure setting.** Too little pressure results in an uneven pattern, coarse droplet size, low flow, and poor mixing. Too much pressure results in excessive overspray, high flow rates, difficult control, and excessive wear.
- **Fluid temperature.** Effects are similar to when fluid pressure setting is too high or too low.
- **Mix chamber size.** Choice of mix chamber is based on desired flow rate within machine capability and fluid viscosity.
- **Cleanoff air adjustment.** Too little cleanoff air results in droplets building up on the front of the nozzle, and no pattern containment to control overspray. Too much cleanoff air results in air-assisted atomization and excessive overspray.

Shutdown

1. Shut off Primary and Hose heat switches.



7. Check and fill wet-cups (AK, Z).

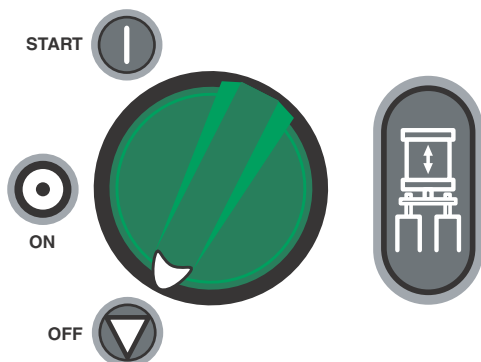
8. Follow gun shutdown procedure.

2. Park component A pump. Turn PARK/RUN switch to PARK.



3. Follow **Pressure Relief** procedure; see page 13.

4. Turn Pump Mode Function knob to OFF.



5. Turn Main Power Disconnect switch (R) OFF.

6. Close air inlet ball valve (DD) and fluid inlet valves (X, U).

Operation

Daily Start-up Procedure



The daily start-up procedures describe normal operation. Assume that all temperature and pressure settings have been previously set, but that the heating system is not up to operating temperature.

1. Check condition isocyanate lubrication system and service as required. Change pump lubricant when it shows signs of change to a milky color.
2. Ensure supply fluid is at correct temperature as recommended by chemical system supplier. Ensure individual chemicals are correctly agitated within their drums/day tanks, and moisture protection system is properly set for operation. Recirculate heated fluid back to supply drums if necessary; see page 31.
3. Turn on main air supply to transfer pumps.
4. Pressurize transfer pumps and open A- and B-inlet supply valves.
5. Open air inlet ball valve.
6. Switch ON main power disconnect switch.
7. Uncoil heated hose.

NOTICE

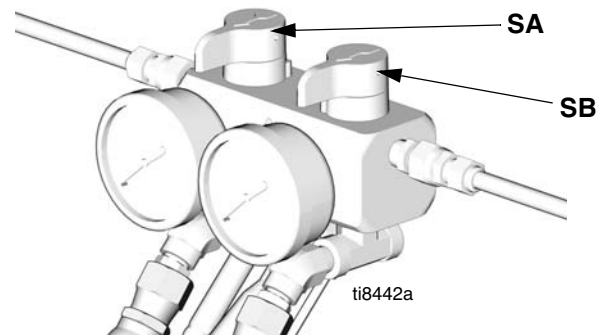
Uncoil heated hoses before turning on hose heater switch to prevent overheating and hot spots within hose.

8. Check that hose setpoint temperature is correct.
9. Turn hose heat control switch past ON to START. Switch will illuminate.
10. The hose power controller automatically adjusts the hose current to the hose to compensate for hose length and ambient temperature. Wait for actual hose temperature readout to match hose setpoint temperature.

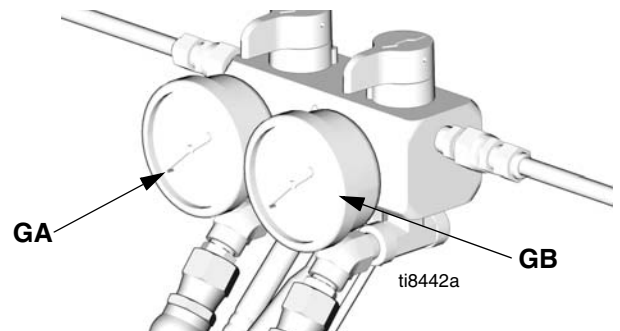
11. Turn on primary heater switch past ON to START. Ensure heater setpoint is correct. Wait for operating temperature to be reached.

To prevent excessive pressure build-up in heated hoses, always bring hoses and primary heater up to operating temperature before turning on pump switch.

12. Set PRESSURE RELIEF/SPRAY valves (SA, SB) to SPRAY.

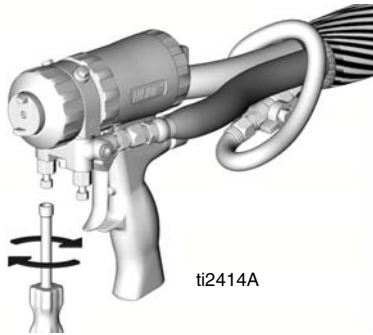


13. Turn PARK/RUN switch to RUN.
14. Turn Pump Mode Function switch to ON and momentarily to START. Pumps will pressurize the fluid according to air regulator pressure.
15. Check A and B fluid pressure gauges (GA, GB) to ensure proper pressure balance between A and B. If imbalanced, bleed off the high side with valves SA and SB until balanced.

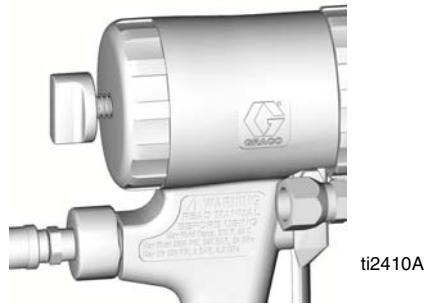


Operation

16. Open gun fluid manifold valves A and B.





17. Disengage gun piston safety lock.



18. Test spray onto cardboard.
19. Observe isocyanate-A and resin-B gauges on up and down strokes. Readjust upstroke pressure regulator as required to ensure proportioning pump pressure is equal on both the up and down strokes.
20. Equipment is ready to spray.

Fluid Circulation




Circulation Through Reactor

					
---	---	--	--	--	--

Read **Warnings**; see page 4. Do not circulate fluid containing a blowing agent without consulting with your material supplier regarding fluid temperature limits.

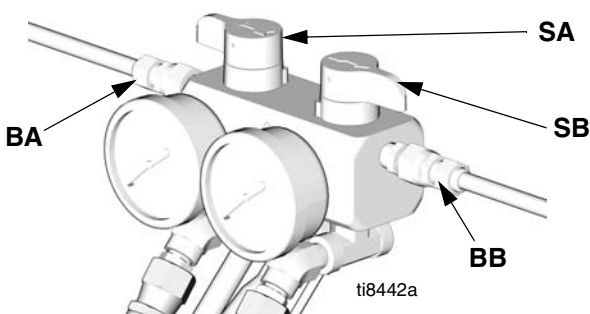
To circulate through gun manifold and preheat hose; see page 32.

1. Load fluid with feed pumps; see page 21.

					
---	---	---	--	--	--

Do not install shutoffs downstream of the PRESSURE RELIEF/SPRAY valve outlets (BA, BB). The valves function as overpressure relief valves when set to SPRAY. Lines must be open so valves can automatically relieve pressure when machine is operating.

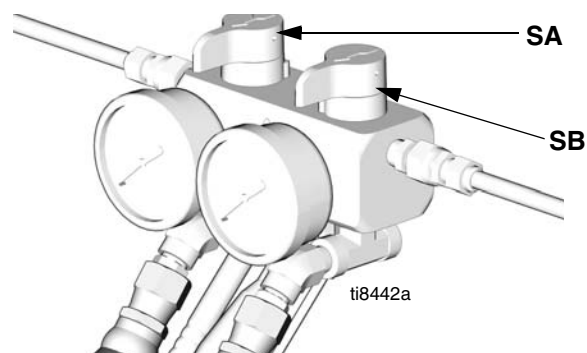
2. Route circulation lines back to respective component A or B supply drum. Use hoses rated at the maximum working pressure of this equipment, see hose manual.
3. Set RECIRC/SPRAY valves (SA, SB) to RECIRC.




4. Turn Main Disconnect Switch (R) ON.
5. Open air inlet ball valve.
6. Set temperature targets; see page 22. Turn on heater.



 Do not turn on hose heat unless hoses are already loaded with fluid.

7. Set both Air Regulator pressures to start at 15 psi (1.0 bar).
8. Turn PARK/RUN switch to RUN.
9. Turn Pump Mode Function switch to START.
10. Recirculate until desired temperature reaches set point.
11. Turn Pump Mode Function knob to OFF.
12. Turn on hose heat if hose is filled with fluid without air pockets or solvent.
13. Set PRESSURE RELIEF/SPRAY valves (SA, SB) to SPRAY.



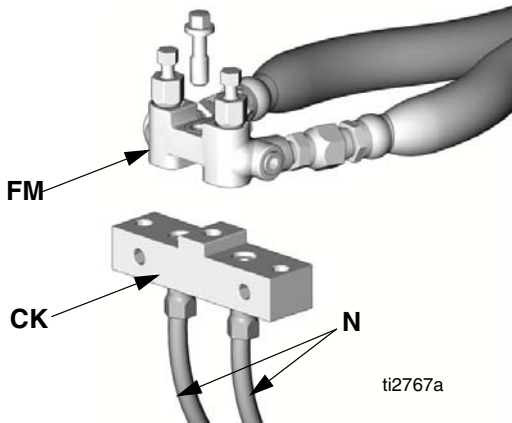
 For additional circulation information, refer to manual 309852.

Circulation Through Gun Manifold


						
<p>Read Warnings; see page 4. Do not circulate fluid containing a blowing agent without consulting with your material supplier regarding fluid temperature limits.</p>						

Circulating fluid through the gun manifold allows rapid preheating of hose.


1. Install gun fluid manifold (FM) on Part 246362 accessory circulation kit (CK).



2. Connect high pressure circulation lines (N) to circulation manifold (CK). Route circulation lines back to respective component A or B supply drum. Use hoses rated at the maximum working pressure of this equipment.
3. Follow Load Fluid with Feed Pumps procedure; see page 21.
4. Turn Main Power Disconnect Switch (R) ON.
5. Open air inlet ball valve.
6. Set temperature targets; see page 22. Turn on heater.

 Do not turn on hose heat unless hoses are already loaded with fluid.

7. Set both Air Regulator pressures to start at 15 psi (1.0 bar).
8. Turn PARK/RUN switch to RUN.
9. Turn Pump Mode Function switch to START.
10. Recirculate until desired temperature reaches set point.
11. Turn Pump Mode Function switch to OFF.
12. Close gun fluid manifold valves.
13. Reconnect gun to fluid manifold and air hose.

 For additional recirculation information, refer to manual 309818.

Maintenance

- Check and add TSL to B side pump wet-cup daily.
- Check ISO lube bottle for significant discoloration or crystallization daily. Replace with fresh TSL when needed.
- Ensure ISO (A) pump is down and in PARK position during every shutdown.
- Keep any ISO (A) fluid from being exposed to atmosphere to prevent crystallization.
- Remove inlet filter screen plug (V, Y) and clean screens if increased unbalanced pressures between A and B is noticed or as needed for fluids used. Also clean after flushing.
- Close gun fluid shutoff valves when not in use.
- If using a Fusion Air Purge gun, add grease with grease gun per manual.
- Clean gun filter screens and mix chamber ports regularly, or when increased unbalanced pressures between A and B is noticed. See gun manual.
- Use lithium grease or Iso Pump Oil on all threaded fluid fittings on the “A” side.

Technical Data

Category	Data
Maximum Fluid Working Pressure	2000 psi (1.4 MPa, 140 bar)
Maximum Air Working Pressure	120 psi (0.84 MPa, 8.4 bar)
Machine Maximum Power with hose	9000 Watts
Voltage Requirement (50/60 Hz) (230 V Nominal: 195-253 VAC) (380 V Nominal: 338-457 VAC)	230 V, 1 Phase 230 V, 3 Phase (Delta) 380 V, 3 Phase (WYE 220 V Neutral)
Amperage Requirement (Full Load Peak)*	40 amps @ 230 V, 1 Phase 32 amps @ 230 V, 3 Phase 18.5 amps @ 380 V, 3 Phase
Maximum Heater Fluid Temperature	190 °F (88 °C)
Maximum Hose Fluid Temperature	180 °F (82 °C)
Maximum Ambient Temperature	120 °F (49 °C)
Maximum Output	20 lb/min. (9.0 kg/min.)
Output Per Cycle (A and B)	.028 gal/cycle (.105 ltr/cycle)
Overpressure Relief Shutdown	2250 psi (15.5 MPa, 155 bar)
Over Temperature Shutdown (Primary Heater)	230 °F (110 °C)
Heater Power	6000 Watts
Hose Power	2790 Watts
Sound Pressure	86.3 dB(A) at 2000 psi (14 MPa, 140 bar), 0.5 gpm (1.9 lpm)
Sound Power, per ISO 9614-2	91.6 dB(A) at 2000 psi (14 MPa, 140 bar), 0.5 gpm (1.9 lpm)
Viscosity Range	250-1500 centipoise
Maximum Fluid Inlet Pressure	400 psi (2.7 MPa, 27 bar)
Fluid Inlet/Strainer Filter	20 mesh standard
Air inlet Filter Mesh	5 Micron
Component B (Resin) Inlet	3/4 npt(f) swivel
Component A (Isocyanate) Inlet	1/2 npt(f) swivel
Recirculation/Block Hose Connections	Iso (A) side: #5 JIC (m); Resin (B) side: #6 JIC (m)
Maximum Heated Hose Length***	210 ft of 3/8 ID
Height	39.5 in. (1003.3 cm)
Width	27.2 in. (690.9 cm)
Depth	25.0 in. (635 cm)
Weight	250 lb (117.6 kg)
Wetted Parts	Carbon steel, stainless steel, chrome, aluminum, Fluoroelastomer, PTFE, nylon
Certification	CE **

*Full load amps with all devices operating at maximum capabilities with 210 ft (64.1 m) of hose.

**When a surge transient is applied to the power lines of the unit, heat to the hose may be interrupted and require the hose heat switch to be manually cycled.

***210 ft (64 m) of heated hose will produce the maximum allowable heat capacity. 310 ft (94 m) of heated hose may be used, but will have 25% less heat capacity.



A series of horizontal lines spanning the width of the page, providing a template for technical data or notes.

Graco Standard Warranty

Graco warrants all equipment referenced in this document which is manufactured by Graco and bearing its name to be free from defects in material and workmanship on the date of sale to the original purchaser for use. With the exception of any special, extended, or limited warranty published by Graco, Graco will, for a period of twelve months from the date of sale, repair or replace any part of the equipment determined by Graco to be defective. This warranty applies only when the equipment is installed, operated and maintained in accordance with Graco's written recommendations.

This warranty does not cover, and Graco shall not be liable for general wear and tear, or any malfunction, damage or wear caused by faulty installation, misapplication, abrasion, corrosion, inadequate or improper maintenance, negligence, accident, tampering, or substitution of non-Graco component parts. Nor shall Graco be liable for malfunction, damage or wear caused by the incompatibility of Graco equipment with structures, accessories, equipment or materials not supplied by Graco, or the improper design, manufacture, installation, operation or maintenance of structures, accessories, equipment or materials not supplied by Graco.

This warranty is conditioned upon the prepaid return of the equipment claimed to be defective to an authorized Graco distributor for verification of the claimed defect. If the claimed defect is verified, Graco will repair or replace free of charge any defective parts. The equipment will be returned to the original purchaser transportation prepaid. If inspection of the equipment does not disclose any defect in material or workmanship, repairs will be made at a reasonable charge, which charges may include the costs of parts, labor, and transportation.

THIS WARRANTY IS EXCLUSIVE, AND IS IN LIEU OF ANY OTHER WARRANTIES, EXPRESS OR IMPLIED, INCLUDING BUT NOT LIMITED TO WARRANTY OF MERCHANTABILITY OR WARRANTY OF FITNESS FOR A PARTICULAR PURPOSE.

Graco's sole obligation and buyer's sole remedy for any breach of warranty shall be as set forth above. The buyer agrees that no other remedy (including, but not limited to, incidental or consequential damages for lost profits, lost sales, injury to person or property, or any other incidental or consequential loss) shall be available. Any action for breach of warranty must be brought within two (2) years of the date of sale.

GRACO MAKES NO WARRANTY, AND DISCLAIMS ALL IMPLIED WARRANTIES OF MERCHANTABILITY AND FITNESS FOR A PARTICULAR PURPOSE, IN CONNECTION WITH ACCESSORIES, EQUIPMENT, MATERIALS OR COMPONENTS SOLD BUT NOT MANUFACTURED BY GRACO. These items sold, but not manufactured by Graco (such as electric motors, switches, hose, etc.), are subject to the warranty, if any, of their manufacturer. Graco will provide purchaser with reasonable assistance in making any claim for breach of these warranties.

In no event will Graco be liable for indirect, incidental, special or consequential damages resulting from Graco supplying equipment hereunder, or the furnishing, performance, or use of any products or other goods sold hereto, whether due to a breach of contract, breach of warranty, the negligence of Graco, or otherwise.

FOR GRACO CANADA CUSTOMERS

The Parties acknowledge that they have required that the present document, as well as all documents, notices and legal proceedings entered into, given or instituted pursuant hereto or relating directly or indirectly hereto, be drawn up in English. Les parties reconnaissent avoir convenu que la rédaction du présente document sera en Anglais, ainsi que tous documents, avis et procédures judiciaires exécutés, donnés ou intentés, à la suite de ou en rapport, directement ou indirectement, avec les procédures concernées.

Graco Information

For the latest information about Graco products, visit www.graco.com.

TO PLACE AN ORDER, contact your Graco distributor or call to identify the nearest distributor.

Phone: 612-623-6921 **or Toll Free:** 1-800-328-0211 **Fax:** 612-378-3505

*All written and visual data contained in this document reflects the latest product information available at the time of publication.
Graco reserves the right to make changes at any time without notice.*

Original instructions. This manual contains English. MM 311511

Graco Headquarters: Minneapolis

International Offices: Belgium, China, Japan, Korea

GRACO INC. P.O. BOX 1441 MINNEAPOLIS, MN 55440-1441

Copyright 2006, Graco Inc. is registered to ISO 9001

www.graco.com

Revised 01/2011